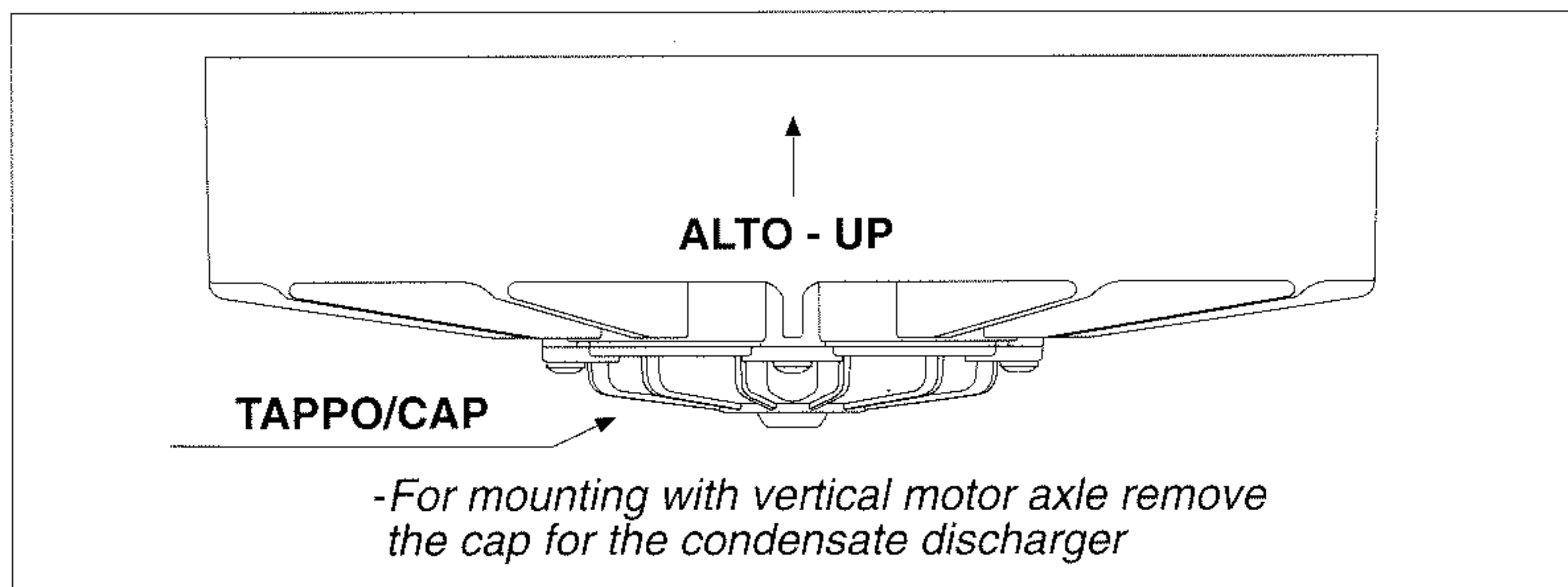
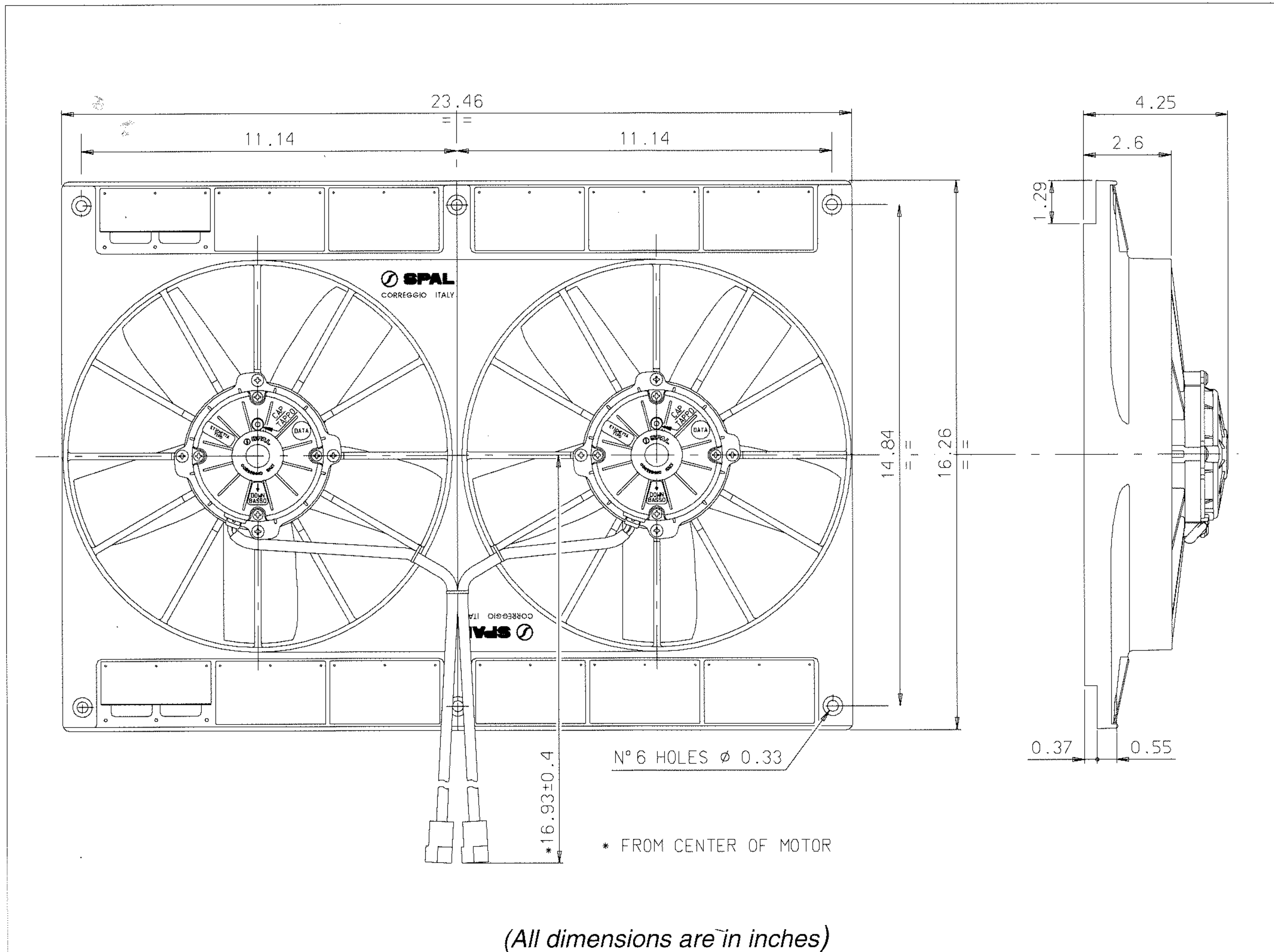


Art. 30102052	Type 2VA06 - AP6 - 37A Pull	Fan diameter 11"
------------------	--------------------------------	---------------------



* Weight 10.56 lbs. approx.

* Closed motor

* Long life

Test voltage 13 V DC

Static pressure	Airflow	Current input
in. H ₂ O	cfm	A
0	2780	25
0.2	2450	27
0.4	2130	28
0.6	1600	29
0.8	1070	30
1.0	830	32
1.2	540	33
1.4	—	36

Static pressure: 1 mm H₂O = 0.04 in. H₂O
Airflow: 1 m³/h = 0.59 cfm