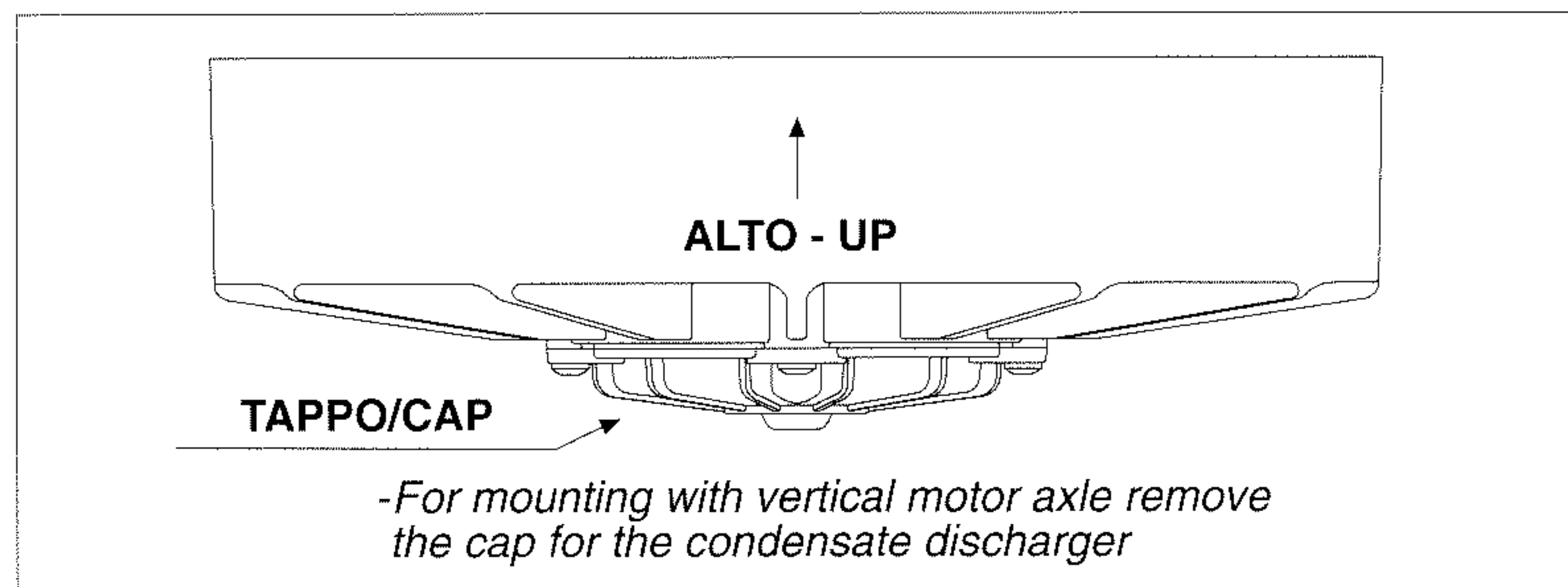
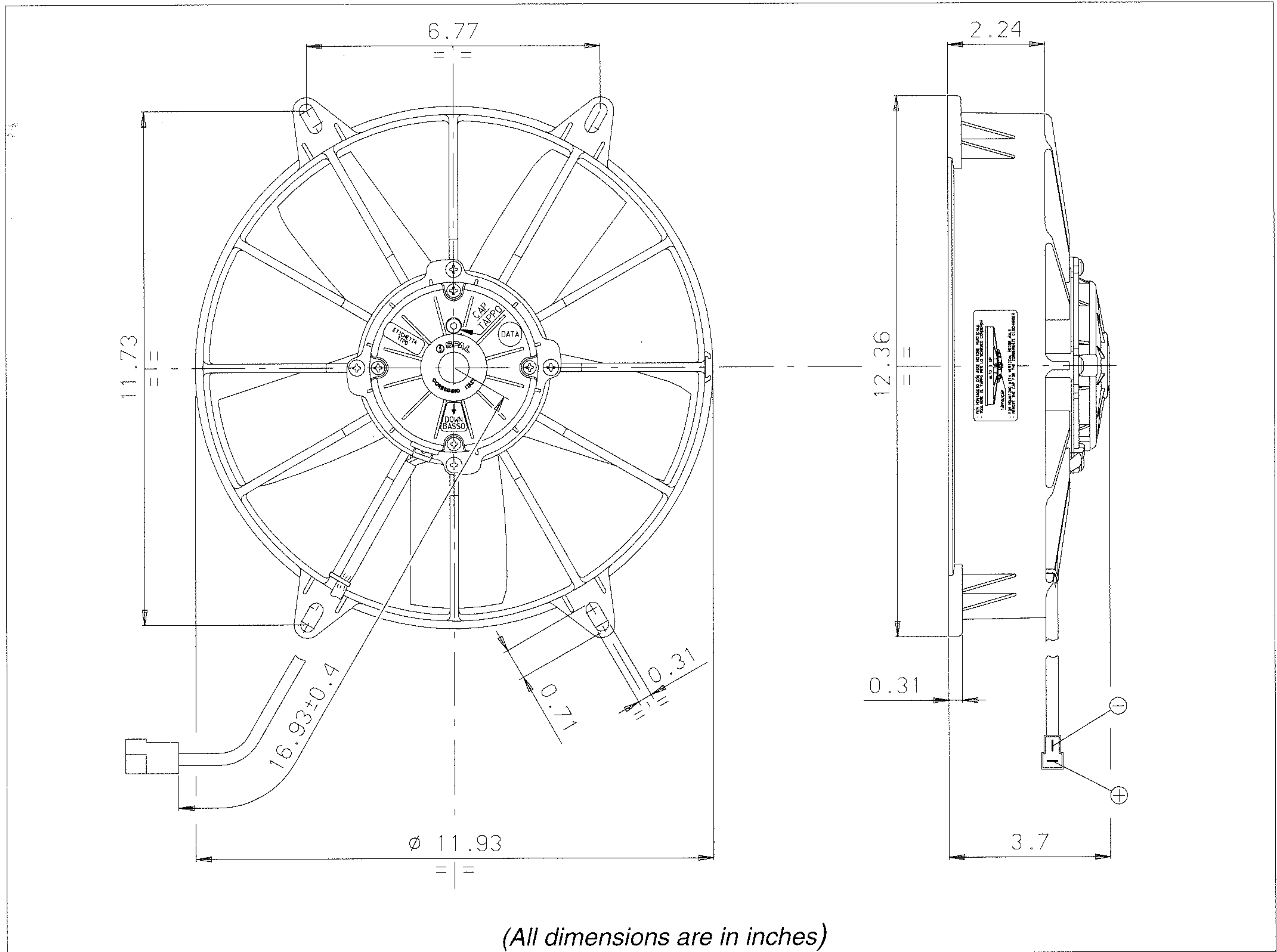


Art. 30102054 30102040	Type VA03 - AP6 - 37A Pull VA03 - AP6 - 37S Push	Fan diameter 11"
---	---	-----------------------------------



* Weight 5.17 lbs. approx.

* Closed motor

* Long life

Test voltage 13 V DC

<i>Static pressure</i> in. H ₂ O	<i>Airflow</i> cfm	<i>Current input</i> A
0	1390	12.5
0.2	1230	13.5
0.4	1070	14
0.6	800	14.5
0.8	540	15
1.0	420	16
1.2	270	16.5
1.4	—	18

Static pressure: 1 mm H₂O = 0,04 in. H₂O
 Airflow: 1 m³/h = 0,59 cfm