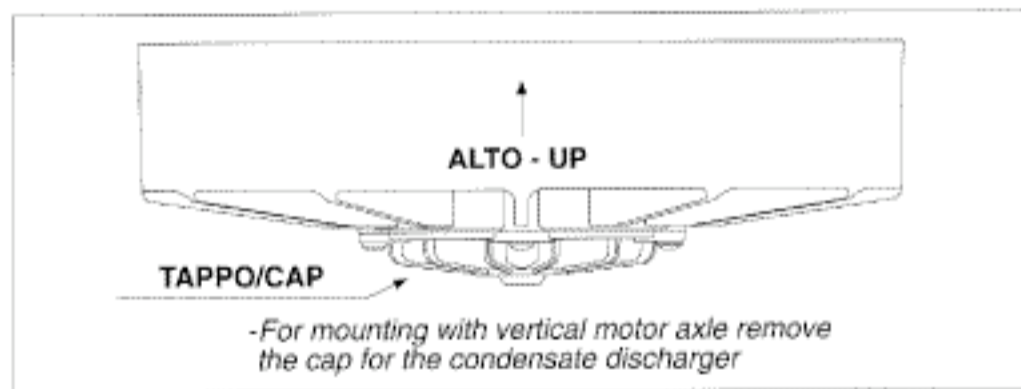
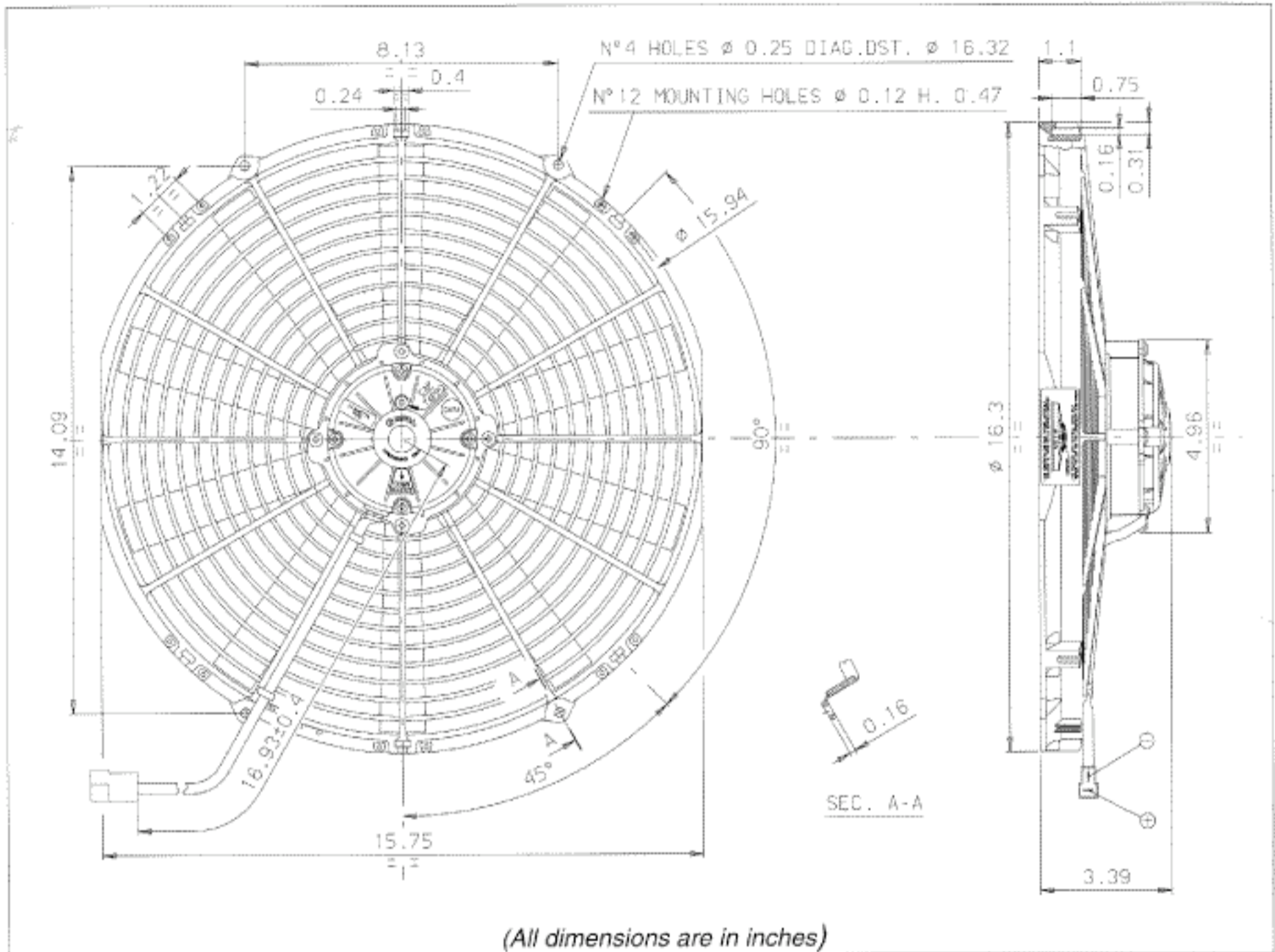


Art. 30102120 30102047	Type VA18 - AP70/LL - 86A Pull VA18 - AP70/LL - 86S Push	Fan diameter 16"
------------------------------	----------------------------------------------------------------	---------------------



* Weight 5.17 lbs. approx.

* Long life

* Available accessories: all the mounting kits.

Test voltage 13 V DC

Static pressure	Airflow	Current input
in. H ₂ O	cfm	A
0	2360	21.6
0.2	2040	21.7
0.4	1720	21.8
0.5	1570	22.2
0.6	1390	22.2
0.7	1180	22
0.8	950	21.7
1.0	510	20.7
1.2	-	20.7

Static pressure: 1 mm H₂O = 0.04 in. H₂O
Airflow: 1 m³/h = 0.59 cfm