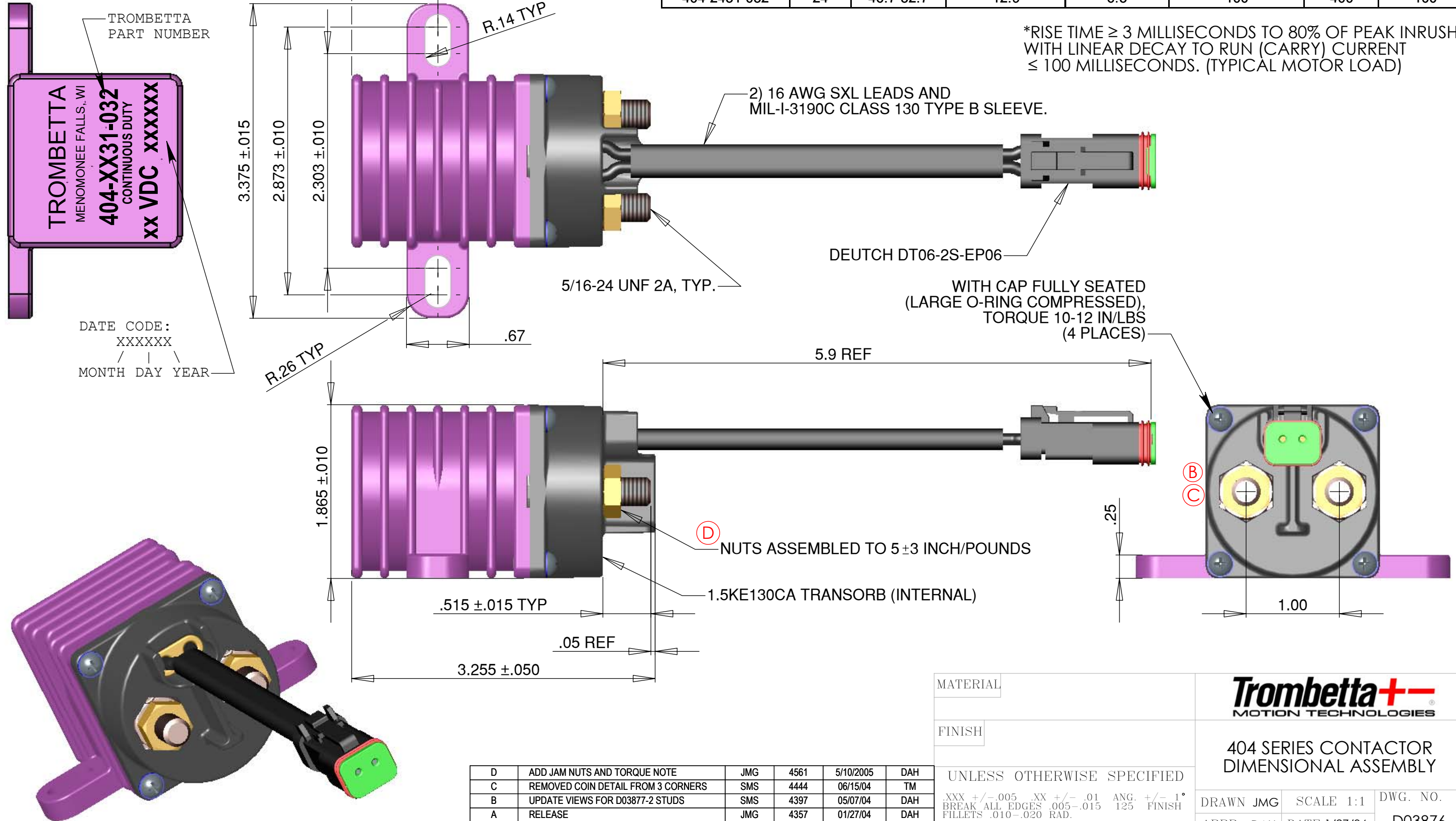


THIS DRAWING IS PROPRIETARY AND CONFIDENTIAL PROPERTY OF TROMBETTA AND IS LOANED IN CONFIDENCE WITH THE UNDERSTANDING THAT IT WILL BE KEPT CONFIDENTIAL AND USED ONLY FOR THE PURPOSE FOR WHICH IT IS LOANED.

TROMBETTA P/N	LABEL VDC	25° C OHMS WITH PLUG	MIN VOLTAGE	MIN HOLD-IN VDC AT 25° C	CONTINUOUS RESISTIVE	INDUCTIVE CURRENT RATING *	
			REQ'D TO PULL-IN @ 25° C		CURRENT RATING	INRUSH	CARRY
404-1231-032	12	12.55-14.11	6.5	3.2	200	400	100
404-2431-032	24	46.7-52.7	12.9	6.5	100	400	100



\*RISE TIME ≥ 3 MILLISECONDS TO 80% OF PEAK INRUSH WITH LINEAR DECAY TO RUN (CARRY) CURRENT ≤ 100 MILLISECONDS. (TYPICAL MOTOR LOAD)

MATERIAL	 <b>MOTION TECHNOLOGIES</b>	
FINISH		
UNLESS OTHERWISE SPECIFIED		
.XXX +/- .005 .XX +/- .01 ANG. +/- 1° BREAK ALL EDGES .005-.015 125 FINISH FILLETS .010-.020 RAD.		
DRAWN JMG	SCALE 1:1	DWG. NO.
APPR. DAH	DATE 1/27/04	D03876

REV	DESCRIPTION	BY	ECN	DATE	APP
D	ADD JAM NUTS AND TORQUE NOTE	JMG	4561	5/10/2005	DAH
C	REMOVED COIN DETAIL FROM 3 CORNERS	SMS	4444	06/15/04	TM
B	UPDATE VIEWS FOR D03877-2 STUDS	SMS	4397	05/07/04	DAH
A	RELEASE	JMG	4357	01/27/04	DAH